

Miniature Circuit Breakers RI 50



RI 50 is used for overcurrent (overload and short-circuit) protection of installations and devices, and as disconnecter in case of electric shock.

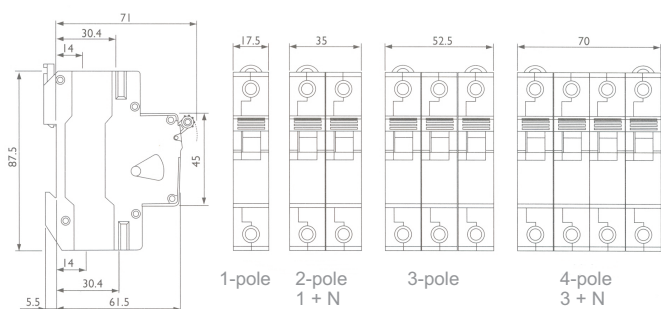
FEATURES

- Simple and quick fixing to a 35 mm mounting rail in accordance with EN 60715.
- Low let-through energy I^2t under short-circuit conditions ensures longer life of contacts and reduces thermal stresses in the distribution circuit.
- RI 50 has been designed to minimize the energy loss due to unique contact configuration and reduction of hot spots. Watt loss per pole for RI 50 is far lower than that specified in IEC/EN 60898-1.

TEHNIICAL DATA

Standards	IEC/EN 60898-1		
No. of poles	1, 2, 3, 4, 1+N, 3 + N		
Tripping characteristic	B, C		
Rated voltage	single pole	U_n	V
	multi-pole		
			240/415 AC, 60 DC
			415 AC, 110 DC (when 2 poles connected in series)
Insulation voltage		U_i	V
			500
Impulse withstand voltage		U_{imp}	kV
			4
Rated frequency		f	Hz
			50/60
Rated current		I_n	A
			1 - 63 (B characteristic)
			1 - 63 (C characteristic)
Rated breaking capacity		I_{cn}	kA
			6
Selectivity class	3		
Terminal capacity		S	mm ²
			up to 25
Ambient temperature		°C	-25 ... +55

Dimensions



Tripping characteristic

