



BISTABLE SWITCH WITH WIRELESS CONTROL BICOM 432

- **RELEVANT FOR** SWITCHING OF LIGHTING
- **ALTERNATIVE** TO INSTALLATION RELAYS AND CONTACTORS
- **INDUSTRY 4.0** SOLUTION READY

BISTABLE SWITCH WITH WIRELESS CONTROL

BICOM 432

APPLICATIONS

- IOT SYSTEMS
- SMART HOMES
- SMART FACTORIES
- ADVANCED LIGHTING MANAGEMENT
- SMART ENERGY MANAGEMENT

FEATURES

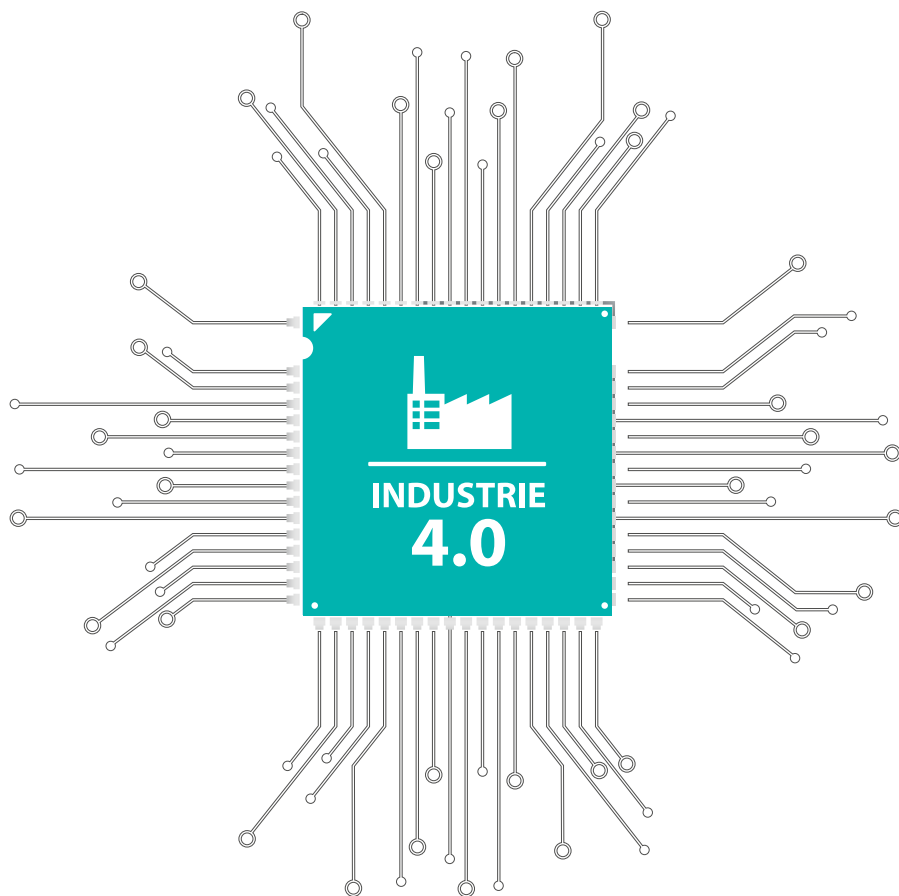
- WIRELESS COMMUNICATION
- INTEGRATED SYSTEM SECURITY
- CONNECTING DEVICES WIRELESSLY
- CONSUMER SOFTWARE APPLICATION
- CLOUD STORAGE DATA
- INTEGRATION READY
- REPLACEABILITY
- ANALYTIC SERVICES
- SOLUTIONS DEVELOPMENT

OTHER BENEFITS

- 2 MODULE WIDTH WITH INTEGRATED WIRELESS MODULE
- 4 MAIN CONTACTS
- RATED CURRENTS UP TO 32 A
- LOW POWER CONSUMPTION
- FAST SWITCHING OF LOADS
- MOUNTING ON 35 MM RAIL
- DEGREE OF PROTECTION IP20

STANDARDS

- IEC/EN 60669-1
- IEC/EN 60669-2-2
- IEC/EN 60947-4-1
- IEC/EN 61095
- IEEE 802.15.1 (BLUETOOTH)



BISTABLE SWITCH WITH WIRELESS CONTROL

BICOM 432

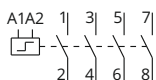
TECHNICAL DATA			BICOM 432
GENERAL			
STANDARD	IEC/EN 60669-1, IEC/EN 60669-2-2, IEC/EN 60947-4-1, IEC/EN 61095, IEEE 802.11, IEEE 802.15.1		
MODULE WIDTH (1 MODULE WIDTH = 17.5 mm)	2		
MECHANICAL ENDURANCE	op.c.	1 x 10 ⁶	
ELECTRICAL ENDURANCE	op.c.	1 x 10 ⁵	
AMBIENT TEMPERATURE	°C	-25 ... +55	
STORAGE TEMPERATURE	°C	-30 ... +80	
NO. OF CONTACTORS SIDE-BY-SIDE	≤ 40 °C	NO LIMITATION	
	40-55 °C	MAX. 3	
MAX. OPERATING FREQUENCY WITH OR WITHOUT LOAD	op./h	450	
WEIGHT	kg	0.2	
MAIN CIRCUIT			
RATED INSULATION VOLTAGE (U _i)	V	440	
RATED IMPULSE WITHSTAND VOLTAGE (U _{imp})	kV	4	
THERMAL CURRENT (I _{th})	A	20	
RATED OPERATIONAL VOLTAGE (U _e)	V	440	
CONTACT RELIABILITY	17 V; ≥ 50 mA		
MIN. DISTANCE OF OPEN CONTACTS	mm	3.6	
POWER DISSIPATION PER POLE AT 32 A	W	3	
OVERCURRENT WITHSTAND CAPABILITY (10 s)	A	96	
MAX. BACK-UP FUSE FOR SHORT-CIRCUIT PROTECTION gG(gL) (I _n)	V	32	
COORDINATION TYPE 1			
RATED FREQUENCY (f)	Hz	50/60	
RATED OPERATIONAL CURRENT AC-1/AC-7a (I _e)	A	32	
OPERATIONAL POWER FOR AC-1/AC-7a (P _e)	kW	21	
THREE-PHASE 400 V			
RATED OPERATIONAL CURRENT AC-3/AC-7b (I _e)	A	12	
OPERATIONAL POWER FOR AC-3/AC-7b (P _e)	W	5.5	
THREE-PHASE 400 V			
RATED OPERATIONAL CURRENT FOR cos φ = 0.6 (I _e)	A	32	
TERMINAL CAPACITY (S)	RIGID	1 ... 10	
	FLEXIBLE	mm ²	1 ... 6
SCREW / SCREW HEAD	M4 / PZ2		
TIGHTENING TORQUE	Nm	1.2	
CONTROL CIRCUIT			
WIRELESS COMMUNICATION	BLUETOOTH		
SUPPLY VOLTAGE FOR COMMUNICATION (U _s)	V	230	
RANGE OF COIL VOLTAGE (U _c)	%	90 ... 110	
COIL VOLTAGE (U _c)	V	230	
COIL CONSUMPTION	SWITCH-ON	VA/W	18/3
	OPERATION		9/4
TERMINAL CAPACITY	RIGID	1 .. 2.5	
	FLEXIBLE	mm ²	1... 2.5
SCREW / SCREW HEAD	M3 / PZ1		
TIGHTENING TORQUE	Nm	0.6	

BISTABLE SWITCH WITH WIRELESS CONTROL

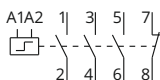
BICOM 432

CONTACT ARRANGEMENTS

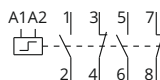
BICOM 432-40



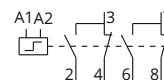
BICOM 432-31



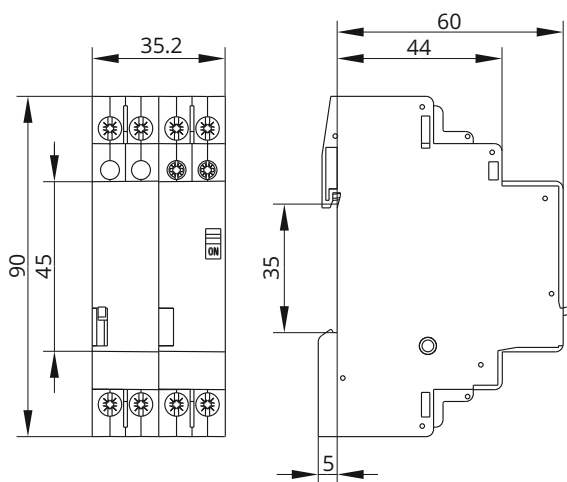
BICOM 432-22



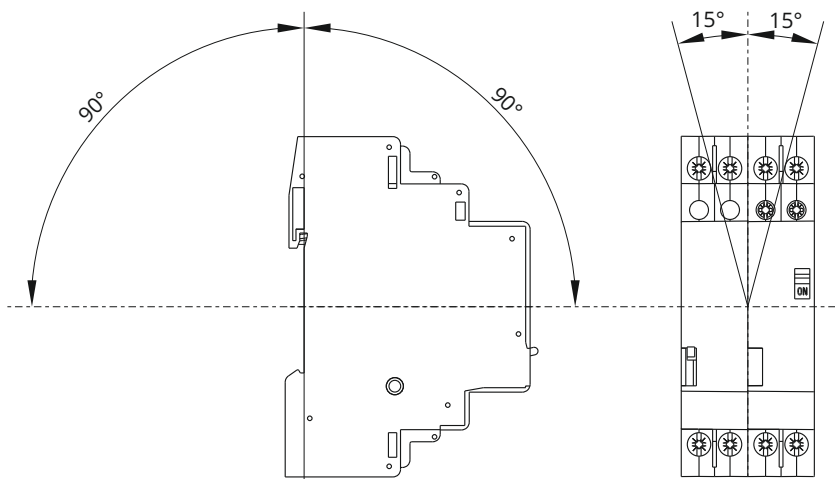
BICOM 432-2C



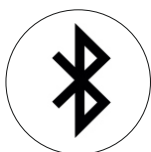
DIMENSIONS



OPERATION POSITION



COMMUNICATION



BICOM-BT

ORDERING DATA

BICOM432 - 40 BT

WIRELESS COMMUNICATION

VERSION OF CONTACTS

TYPE



Iskra, d.d.
Stegne 21
SI-1000 Ljubljana, Slovenia

Phone: +386 (0) 1 51 31 000
www.iskra.eu