

SURGE ARRESTERS FOR OVERHEAD POWER LINES

CLASS II / (A)

I_{MAX} : up to 40kA (8/20)

COMPACT HOUSING





ISPRO AQ 40

The ISPRO AQ 40 series of over voltage surge protective devices has been developed to protect against indirect lightning discharges on overhead power lines.

It consists of a high performance varistor block protected by a thermal disconnection device.

Category IEC/EN/VDE	Class II/Type 2/A
Location of use	Overhead power lines
Protection modes	L/N-PE
Protection element	MOV
High surge discharge ratings	$I_{max} = 40$ kA
Internal protection and safety	Thermal disconnector
Status indication	Compact design
Housing	Compact design



Technical data

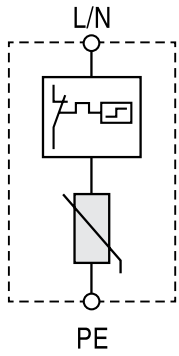
Type	ISPRO AQ 40/xxx						
	150	275	320	385	440		
Standards	IEC-61643-11						
Max. continuous operating voltage (AC/DC)	U_c	V	150/200	275/350	320/420	385/500	440/580
Normal Discharge Current (0/20)	I_n	kA	20				
Max. discharge current (8/20)	I_{max}	kA	40				
Impulse current (10/350)	I_{imp}	kA	/				
Specific energy		kJ/Ω	/				
Charge		As	/				
Protection level at U_{oc}/I_{sc}	U_D	kV	< 1,2	< 1,7	< 1,8	< 2,1	< 2,3
Follow current	I_f	A _{RMS}	NO				
Response time	t_A	ns	< 25				
Residual current at U_c	I_{PE}	mA	< 2				
Thermal protection			YES				
Terminal screw torque		Nm	max. 3,5				
Back-up fuse gL		A	NO				
Temperature range		° C	-40 ... +80				
Terminal cross section	L/N		M8				
	PE	mm ²	6 (stranded)				
Mounting			outdoors				
Housing material			thermoplastic; extinguishing degree UL 94 V-0				
Dimensions DIN 43880			/				
Weight per unit		kg	0,144	0,146	0,149	0,154	0,157

ISPRO AQ 40

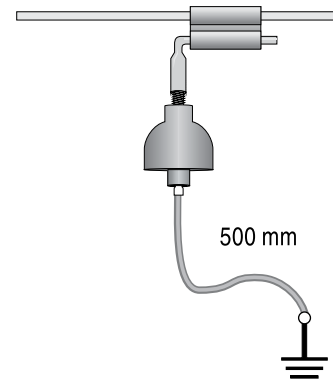


Connection diagram

ISPRO AQ 40/xxx



Mounting



Dimensions

