



## VOLTAGE TRANSDUCER iMT516

- TRUE RMS AC VOLTAGE MEASUREMENTS.
- VOLTAGE AUTO RANGE MEASUREMENTS UP TO 600 V<sub>L</sub>.
- WIDE FREQUENCY MEASUREMENT RANGE 16 HZ – 400 HZ.
- HIGH ACCURACY CLASS 0.2 (IEC-688), 0.1 ON COMMUNICATION.
- SERIAL OR ETHERNET AND USB COMMUNICATION.
- UP TO TWO I/O MODULES (ANALOGUE OUT, ALARM OUT, DIGITAL OUT, DIGITAL IN).
- POWERFUL ANALOGUE OUT; 6 VOLTAGE AND CURRENT RANGES, NON-LINEAR CHARACTERISTICS, ETC.
- USER FRIENDLY PC SETTING SOFTWARE.

## FEATURES

- Measurements of TRMS voltage, frequency THD U and MD.
- High accuracy class 0.2 (IEC-688).
- Frequency range from 16 Hz to 400 Hz.
- 16 adjustable alarms.
- RS232/RS485 communication up to 115,200 bit/s or USB communication and Ethernet simultaneously.
- MODBUS communication protocol.
- Up to 2 inputs or outputs (analogue outputs, digital inputs, alarm outputs, digital outputs).
- Universal power supply (two voltage ranges).
- Automatic range of nominal voltage (max. 600 V<sub>L-N</sub>).
- Housing for DIN rail mounting.
- User-friendly PC MiQen software.

## DESCRIPTION

iMT516 is intended for measuring and monitoring single-phase electrical power network. Voltage input is electrically isolated from the system by means of high resistive input chain. It measures true RMS voltage value by means of fast sampling of voltage signals, which makes instruments suitable for acquisition of transient events. A built-in microcontroller calculates measurands (voltage, frequency, THD U, MD) from the measured signals. Measurands can be then converted into load independent DC current or voltage which is proportional to the true RMS measured value for the purpose of regulation of analogue and/or digital devices.

## COMPLIANCE WITH STANDARDS

Standard EN	Description
61010-1: 2010	<i>Safety requirements for electrical equipment for measurement, control and laboratory use</i>
60688:2013	<i>Electrical measuring transducers for converting AC electrical variables into analogue and digital signals</i>
61326-1:2013	<i>EMC requirements for electrical equipment for measurement, control and laboratory use - Part 1: General requirements</i>
60529:1997/A1:2000	<i>Degrees of protection provided by enclosures (IP code)</i>
60068-2-1/-2/-6/-27/-30	<i>Environmental testing (-1 Cold, -2 Dry heat, -30 Damp heat, -6 Vibration, -27 Shock)</i>
UL 94	<i>Tests for flammability of plastic materials for parts in devices and appliances</i>

## APPLICATION

The iMT516 voltage transducer is used for a permanent monitoring of a single-phase voltage and frequency values. Wide range of various I/O modules makes iMT516 a perfect choice for numerous applications. iMT516 is delivered configured to default values. Subsequent customer configuration is possible with user friendly setting software MiQen.. iMT516 supports a wide range of communication interfaces. Standard serial RS232/485 with speed up to 115200 baud is perfect for simple applications and serial bus interfacing. Ethernet 10/100 is ideal for a long distance monitoring and configuration of numerous transducers. USB 2.0 can be used for a fast set-up or memory acquisition.

## TECHNICAL DATA

### Measurement input:

Nominal frequency range: 50 Hz, 60 Hz  
 Measuring frequency range: 16 Hz–400 Hz (max. 1000 Hz)

### Voltage measurements:

Nominal value (UN) 57.7 V<sub>LN</sub>...500 V<sub>LN</sub>  
 Max. measured value (cont.) 600 V<sub>LN</sub>  
 Max. allowed value 2 × U<sub>N</sub>; 10 s (acc. to IEC/EN 60 688)  
 Consumption < U<sup>2</sup> / 4.2 M Ω per phase  
 Input impedance 4.2 M Ω per phase

### System:

Voltage inputs can be connected either directly to low-voltage network or via a high-voltage transformer to high-voltage network.

## BASIC ACCURACY UNDER REFERENCE CONDITIONS

### Total accuracy (measurements and analogue output) according to IEC/EN 60 688.

Accuracy is presented as percentage of range except when it is stated as an absolute value.

Measurand	Accuracy (±% of range)	
Voltage Rms	0.2	0.1 <sup>(1)</sup>
Frequency (f)	10 mHz	
THD(U) (0...400 %)	0.5	

<sup>(1)</sup> On communication

## COMMUNICATION

iMT516 has a wide variety of communication possibilities to suit specific demands. It is equipped with two standard communication ports (COM1A and COM1B). This allows different users to access data from a device simultaneously and by using ethernet communication, data can be accessed worldwide.

Different configurations are possible (to be specified with order).

Configuration	COM1A	COM1B
1	RS232/485 <sup>(1)</sup>	/
2	Ethernet	USB

<sup>(1)</sup> RS485 communication is available through DB9 or screw-in terminals, while RS232 is available only through DB9

Serial communication	RS232 <sup>(1)</sup>	RS485 <sup>(1)</sup>
Connection type	Direct	Network
Connection terminals	DB9 <sup>(1)</sup>	Screw terminals <sup>(1)</sup>
Function	Settings, measurements and records acquisition, firmware upgrade	
Insulation	Protection class I, 3.3 kV <sub>ACRMS</sub> 1 min	
Max. connection length	3 m	1000 m
Transfer mode	Asynchronous	
Protocol	MODBUS RTU	
Transfer rate	2.4 kBaud to 115.2 kBaud	
Number of bus stations	/	≤ 32

<sup>(1)</sup> Both types of comm. are available but only one at a time

Ethernet	
Connection type	Network
Connection terminals	RJ-45
Function	Settings, measurements and records acquisition, firmware upgrade
Insulation	Protection class I, 3.3 kV <sub>ACRMS</sub> 1 min
Transfer mode	Asynchronous
Protocol	MODBUS TCP
Transfer rate	10/100 Mb/s autodetect

USB	
Connection type	Direct
Connection terminals	USB-B
Function	Settings, measurements and records acquisition, firmware upgrade
Insulation	Protection class I, 3.3 kV <sub>ACRMS</sub> 1 min
Transfer mode	Asynchronous
Protocol	MODBUS RTU

Transfer rate USB 2.0

## INPUT/OUTPUT MODULES

iMT516 is equipped with four multipurpose input/output slots. The following modules are available:

Alarm (digital) output	2	any I/O outputs
Analogue output	2	any I/O outputs
Digital input	2 inputs	any I/O
Watchdog (status) output	2	any I/O outputs

### Analogue output:

Each of up to two analogue outputs is fully programmable and can be set to any of 6 hardware ranges, 4 current and 2 voltage, without opening an instrument. They all use the same output terminals.

### Programmable DC current output:

Output range values -100 %...0...100 %

-1...0...1 mA	Range 1
-5...0...5 mA	Range 2
-10...0...10 mA	Range 3
-20...0...20 mA	Range 4
other ranges possible	by MiQen software

Burden voltage	10 V
External resistance	$R_{Bmax} = 10 \text{ V}/I_{outN}$

### Programmable DC voltage output:

Output range values -100...0...100%

-1...0...1 V	Range 5
-10...0...10 V	Range 6
other ranges possible	by software

Burden current	5 mA
External resistance	$R_{Bmin} = U_{outN} / 5 \text{ mA}$

### General:

Linearization	Linear, Quadratic
No. of break points	5
Output value limits	$\pm 120\%$ of nominal output
Response time	< 100 ms

(measurement and analogue output)

Residual ripple < 0.5 % p.p.

The outputs 1 and 2 may be either short or open-circuited. They are electrically insulated from each other (500 VACrms) and from all other circuits (3320 VACrms).

All output range values can be altered subsequently (zoom scale) using the setting software, but a supplementary error results (see INTRINSIC ERROR).

### Alarm (digital) output:

Type	Relay switch
Rated voltage	48 V AC/DC (+40% max)
Max. switching current	200 mA
Contact resistance	$\leq 100 \text{ m}\Omega$ (100 mA, 24 V)
Impulse	Max. 4000 imp/hour Min. length 100 ms

Insulation voltage	
Between coil and contact	4000 VDC
Between contacts	1000 VDC

### Digital input

Rated voltage	48 V AC/DC (+ 40% max)
Max. current	< 1.5 mA
Min. signal width	20 ms
Min. pause width	40 ms
SET voltage	40 %...120 % of rated voltage
RESET voltage	0 %...10 % of rated voltage

### Watchdog (status) output

Type	Relay switch
Normal operation	Relay in ON position
Failure detection delay	$\approx 1.5 \text{ s}$
Rated voltage	48 V AC/DC (+40 % max)
Max. switching current	1000 mA
Contact resistance	$\leq 100 \text{ m}\Omega$ (100 mA, 24 V)

## UNIVERSAL POWER SUPPLY

### Standard (high):

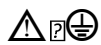
Nominal voltage AC	80 V...276 V
Nominal frequency	40 Hz...65 Hz
Nominal voltage DC	70 V...300 V
Consumption	< 5 VA
Power-on transient current	< 20 A; 1 ms

### Optional (low):

Nominal voltage AC	48 V...77 V
Nominal frequency	40 Hz...65 Hz
Nominal voltage DC	19 V...70 V
Consumption	< 5 VA
Power-on transient current	< 20 A; 1 ms

## SAFETY:

Protection: protection class I



(protective earth terminal due to touchable metal parts (USB-B, RJ-45, DB9), current limiting fuse 1 A on aux. supply Voltage inputs via high impedance Double insulation for I/O ports and COM1 port

Pollution degree 2

Installation category CAT III; 600 V<sub>⊥</sub> meas. inputs

CAT III; 300 V<sub>⊥</sub> aux. supply  
Acc. to EN 61010-1

Test voltages  $U_{AUX} \leftrightarrow I/O, COM1: 2210 V_{AC_{rms}}$

$U_{AUX} \leftrightarrow U$  inputs: 3320 V<sub>AC<sub>rms</sub></sub>

$U$  inputs  $\leftrightarrow I/O, COM1: 3320 V_{AC_{rms}}$

$U$  inputs  $\leftrightarrow I$  inputs: 3320 V<sub>AC<sub>rms</sub></sub>

Enclosure material PC/ABS

Acc. to UL 94 V-0

Enclosure protection IP 40 (IP 20 for terminals)

## MECHANICAL

Dimensions (100 × 127 × 75) mm

Mounting Rail mounting (35 × 15) mm  
acc. to DIN EN 50 022

Enclosure material PC/ABS, PC (sliding cover)

Flammability Acc. to UL 94 V-0

Weight 375 g

## AMBIENT CONDITIONS:

Ambient temperature usage group II

0...15...30...55 °C

Acc. to IEC/EN 60 688

Operating temperature -30 °C to +70 °C (2x rated class)

Storage temperature -40 °C to +70 °C

Average annual humidity ≤ 93% r.h.

## REFERENCE CONDITIONS:

Ambient temperature 15°C...30°C

Relative humidity ≤ 93% r.h.

Voltage input 57.7 V...500 V

Current input 0.31 A...5 A

Frequency 45 Hz...65 Hz

Active/Reactive power factor  $\cos\phi = 1, \sin\phi = 1$

Waveform Sinus

## INTRINSIC-ERROR (FOR ANALOGUE OUTPUTS):

For intrinsic-error for analogue outputs with bent or linear-zoom characteristic multiply accuracy class with correction factor (c). Correction factor c (the highest value applies):

Linear characteristic

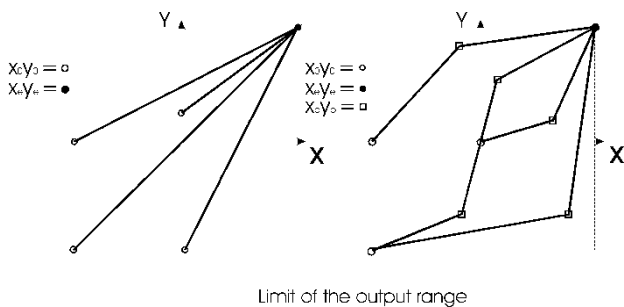
$$c = \frac{1 - \frac{y_0}{y_e}}{1 - \frac{x_0}{x_e}} \text{ or } c = 1$$

Bent characteristic

$$x_{b-1} \leq x \leq x_b$$

b – number of break point (1 to 5)

$$c = \frac{y_b - y_{b-1}}{x_b - x_{b-1}} \times \frac{x_e}{y_e} \text{ or } c = 1$$



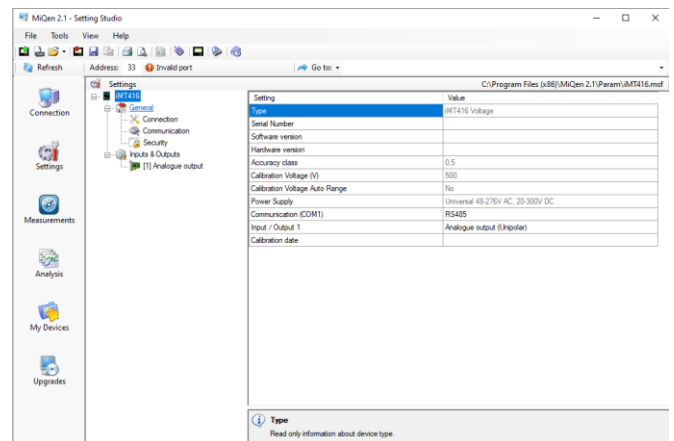
Examples of settings with linear and bent characteristic.

## ALARMS

iMT516 supports monitoring of 16 alarms in two groups. Compare time delay and switch-off hysteresis are defined for each group of alarms.

## MIQEN - SETTING AND ACQUISITION SOFTWARE

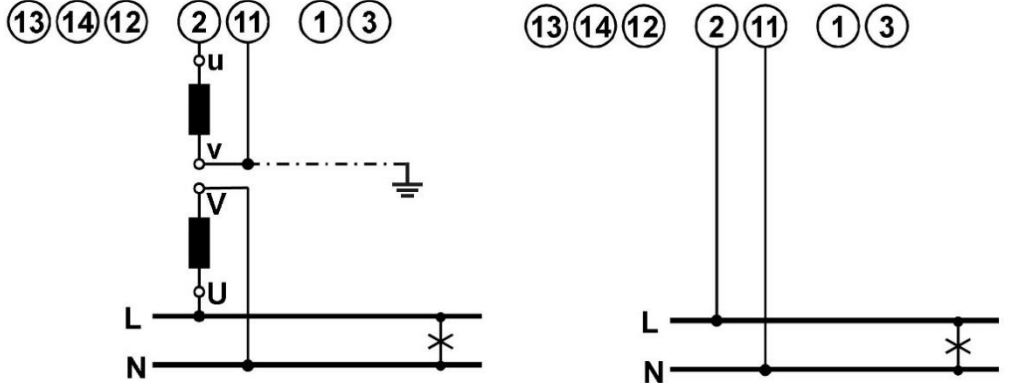
MiQen software is intended for supervision of iMT516 and many other instruments on a PC. Network and the transducer setting, display of measured and stored values and analysis of stored data in the transducer are possible via the serial, Ethernet or USB communication. The information and stored measurements can be exported in standard Windows formats. Multilingual software functions on Windows 98, 2000, NT, XP operating systems.



MiQen software is intended for:

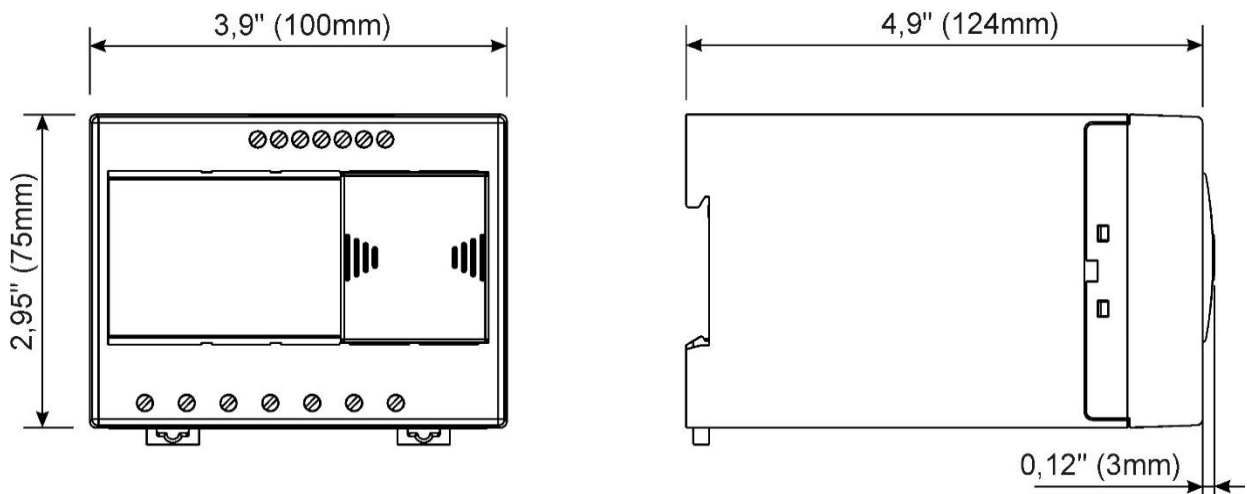
- Setting all of the instruments parameters (online and offline).
- Viewing current measured readings.
- Complete I/O modules configuration.
- Upgrading instruments firmware.
- Searching the net for devices.
- Virtual interactive instrument.
- Comprehensive help support.

**CONNECTION**

System/ connection	Terminal assignment
Single-phase connection 1b (1W)	

**DIMENSIONAL DRAWING**

Dimensions for iMT516 (standard EU clamp style terminals):



**CONNECTION TABLE**

<b>Function</b>		<b>Connection</b>	
<i>Measuring input:</i>	<i>AC voltage</i>		1/3
		<i>UL1</i>	2
		<i>N</i>	11
		<i>I/O</i>	
<i>Inputs / outputs:</i>	<i>Module 1</i>	$\ominus \rightarrow +$	15
		$\ominus \rightarrow -$	16
	<i>Module 2</i>	$\ominus \rightarrow +$	17
		$\ominus \rightarrow -$	18
<i>Auxiliary power supply:</i>		<i>+ / AC (L)</i>	13
		<i>- / AC (N)</i>	14
		<i>GROUND</i>	12
<i>Communication:</i>	<i>RS485</i>	<i>Rx / A</i>	23*#
		<i>NC</i>	24*#
		<i>Tx / B</i>	25*#

\*If ETHERNET/USB communication is supported, terminals 23, 24, and 25 are not used (unconnected)

# RS232 communication is available only on DB9 connection terminal under transparent cover



**DATA FOR ORDERING**

**iMT516:**

The following data shall be stated:

- Type of a transducer
- Type of power supply
- Type of communication
- Type of I/O module(s)
- Required energy accuracy

**Supplement:**

MiQen software

**ORDERING**

When ordering iMT516, all required specifications should be stated in compliance with the ordering code. Additional information could be stated regarding functionality of analogue outputs. Default settings for analogue outputs provided that no ordering information is given will be:

<i>Analogue output</i>	<i>Input quantity</i>	<i>Output quantity</i>
<i>AO1</i>	<i>U1 (0...500)V</i>	<i>0...20 mA</i>
<i>AO2</i>	<i>f (45...65)Hz</i>	<i>0...20 mA</i>

If different analogue output settings are required, a proper input quantity/output quantity pair for each analogue output should be provided.

The transducers automatic range of input voltage (500 V<sub>L-N</sub>) is not stated in the code.

**Example of ordering:**

**iMT516** with EU style clamp terminals and with a universal-HI supply is connected to a universal high voltage and 5 A secondary current on 50 Hz network. Ethernet & USB communication, digital input as I/O1 and relay output as I/O2.

Voltage and current nominal value are due to auto-range fixed to max. nominal value and are therefore omitted from ordering code.

Example ordering code:

```

iMT516 S H E F M E
      | | | | | EU style clamp terminals
      | | | | Relay (alarm) output
      | | | Digital input 48 V AC/DC
      | | Ethernet & USB
      | 70 VDC.. 300 VDC, 80 VAC... 276 VAC
      50 Hz, 60 Hz
    
```

## GENERAL ORDERING CODE

All specifications are obligatory except function of analogue output(s), which should be stated in a form of description.

Device Type	Nominal freq.	Aux. power supply	Comm. COM1	I/O module 1	I/O module 2	Clamp terminals
iMT516	X	X	X	X	X	X
						E EU style clamp terminals *
						R Ring style terminal block
				A		Analogue output*
				S		Pulse output
				M		Relay (alarm) output
				W		Watchdog output
				F		Digital input 48 V AC/DC
				N		Without
			R			RS232 & 485 DB9 + Terminal *
			E			Ethernet & USB
		H				70...300 V DC, 80...276 V AC *
		L				19...70 V DC, 48...77 V AC
	S					50, 60 Hz *
	A					400 Hz
	*	-				standard

## DISPOSAL

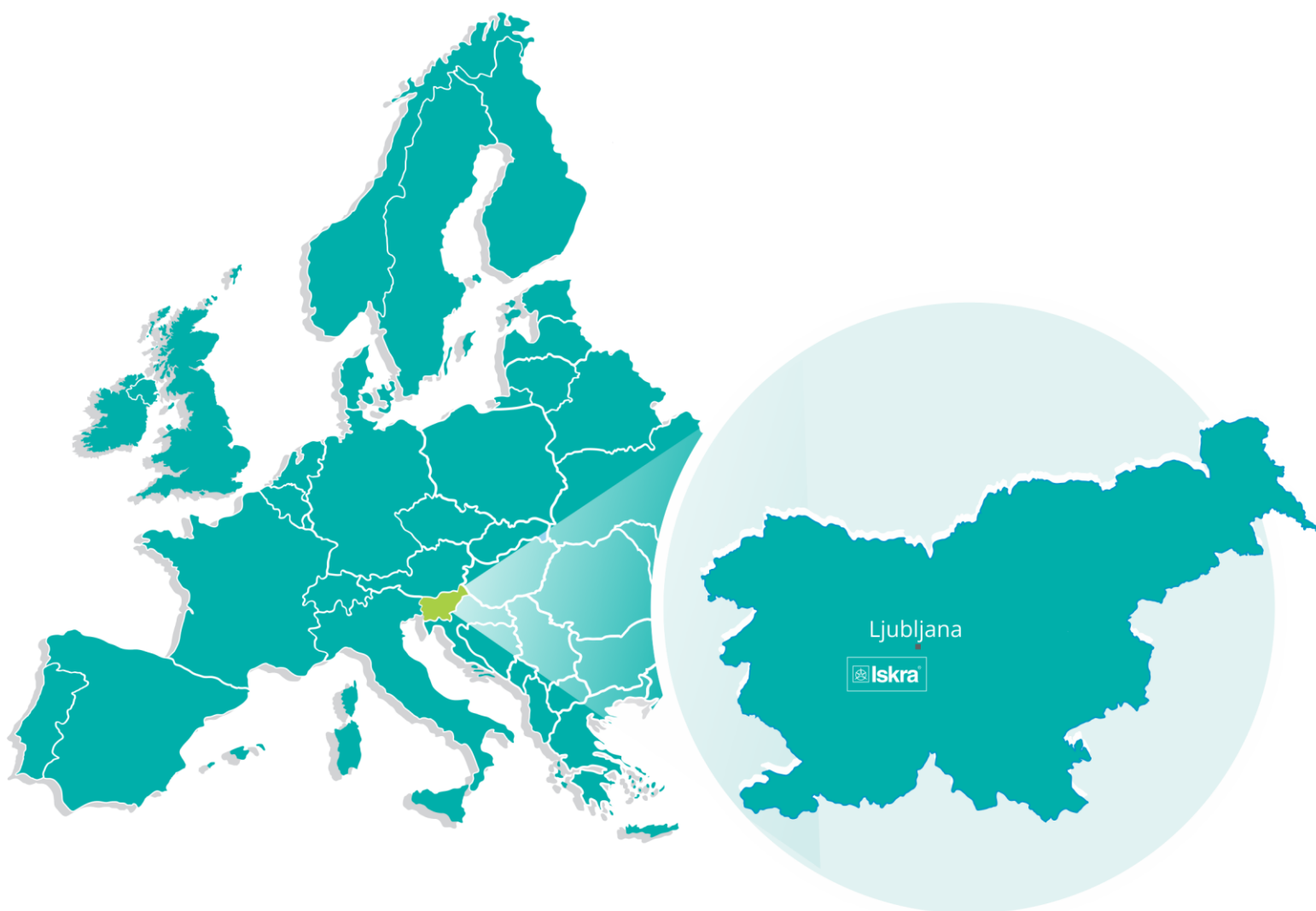


It is forbidden to deposit electrical and electronic equipment as municipal waste.

The manufacturer or provider shall take waste equipment free of charge.

## DICTIONARY:

RMS	Root Mean Square
TRMS	True Root Mean Square
PO	Pulse output
TI	Tariff input
PA	Power angle (between current and voltage)
PF	Power factor
THD	Total harmonic distortion
Ethernet	IEEE 802.3 data layer protocol
MODBUS/DNP3	Industrial protocol for data transmission
MiQen	ISKRA setting and acquisition Software
AC	Alternating quantity
IR	Infrared (optical) communication



**Iskra, d.o.o.**  
**BU Ljubljana**  
 Stegne 21  
 SI-1000, Ljubljana  
 Phone: +386 1 513 10 00

**Iskra, d.o.o.**  
**BU Capacitors**  
 Vajdova ulica 71  
 SI-8333, Semič  
 Phone: +386 7 38 49 200

**Iskra, d.o.o.**  
**BU MIS**  
 Ljubljanska c. 24a  
 SI-4000, Kranj  
 Phone: +386 4 237 21 12

**Iskra, d.o.o.**  
**BU Batteries & Potentiometers**  
 Šentvid pri Stični 108  
 SI-1296, Šentvid pri Stični  
 Phone: +386 1 780 08 00

**Iskra, d.o.o.**  
**BU Electroplating**  
 Glinek 5  
 SI-1291, Škofljica  
 Phone: +386 1 366 80 50

**Iskra IP, d.o.o.**  
 Vajdova ulica 71  
 SI-8333, Semič  
 Phone: +386 7 384 94 54

**Iskra STIK, d.o.o.**  
 Ljubljanska cesta 24a  
 SI-4000, Kranj  
 Phone: +386 4 237 22 33

**Iskra Lotrič, d.o.o.**  
 Ljubljanska c. 24a  
 SI-4000, Kranj  
 Phone: +386 4 237 21 12

**Iskra ODM, d.o.o.**  
 Ljubljanska c. 24a  
 SI-4000, Kranj  
 Phone: +386 4 237 21 12

**Iskra Tela L, d.o.o.**  
 Omladinska 66  
 78250, Laktaši  
 Phone: +387 51 535 890

**Iskra Sistemi - M dooel**  
 Ul, Dame Gruev br. 16/5 kat  
 1000, Skopje  
 Phone: +389 75 444 498

**Iskra Commerce, d.o.o.**  
 Hadži Nikole Živkoviča br. 2  
 11000, Beograd  
 Phone: +381 11 328 10 41

**Iskra Hong Kong Ltd.**  
 33 Canton Road, T.S.T.  
 1705, China HK City  
 Phone: +852 273 00 917

**ISKRA ELECTRONICS GmbH**  
 Südliche Münchner Str. 55  
 82031 Grünwald  
 Deutschland



**Iskra, d.o.o.**  
 Stegne 21  
 SI-1000 Ljubljana, Slovenia

Phone: +386 (0) 1 513 10 00  
[www.iskra.eu](http://www.iskra.eu)